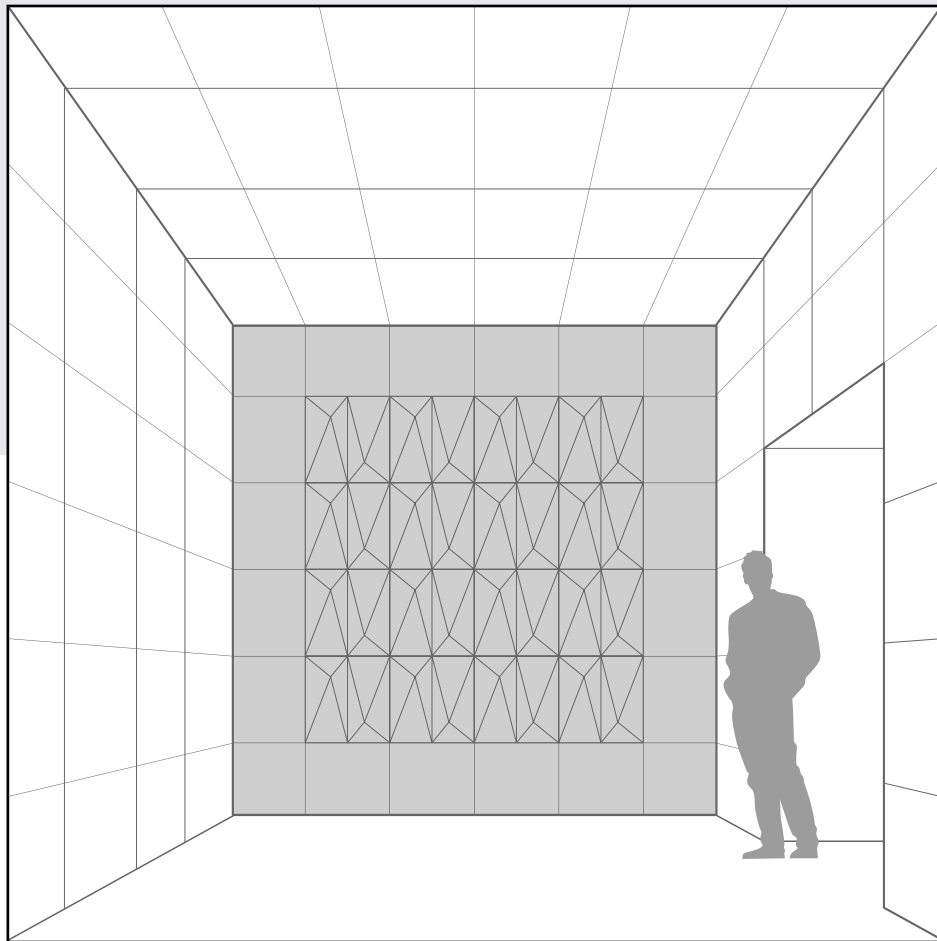


ARTOFIX

INSTALLATION GUIDE ACOUSTIC TILES



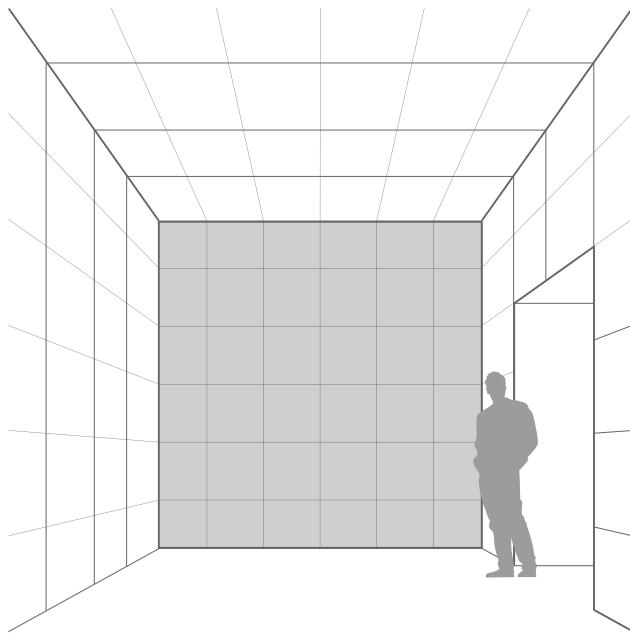
WALLS AND CEILINGS

instructions for adaptable architectural project

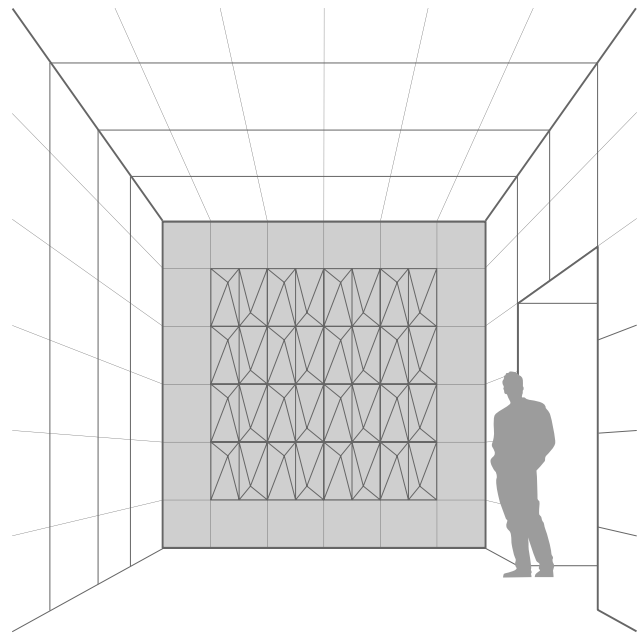
GENERAL NOTES

1. Artofix acoustic tiles can be installed directly onto a **wall or ceiling of drywall**.
2. For **walls**, tiles may be secured to the drywall with a manual or pneumatic stapler.
3. For **ceilings**, tiles must be **secured with screws** to the drywall using a drill or screwdriver or **stapled with a pneumatic stapler**.
4. In the event that the installation surface is **irregular, brittle, or inadequate** such as **concrete blocks, terracotta, plaster, etc.** The Artofix acoustic tiles will need to be installed on a **plywood backing of at least 1/2" (12,5mm) thickness**.
5. The plywood backing of appropriate grade must be installed in accordance with the recommendations of a professional, with the help of anchors adapted to the type of surface.
6. If there are numerous obstacles on the installation surface, a plywood backing may be installed on metal furring, in accordance with industry practices.
7. For **dark tiles**: we recommend painting the surface a similar color to the tiles before beginning the installation.

INSTRUCTIONS for adaptable architectural project



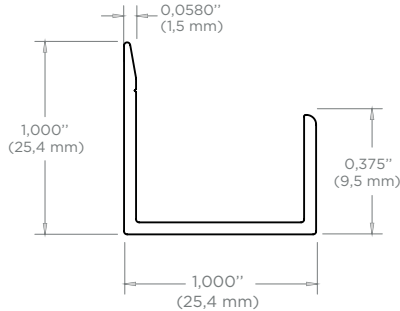
CONFIGURATION 1
Flat relief tiles throughout



CONFIGURATION 2
Combination of three-dimensional tiles, with flat relief tiles on the perimeter

HARDWARE

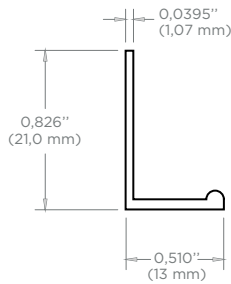
(Provided by Artofix, unless otherwise specified)



(A)

ARTOTRIM-C3

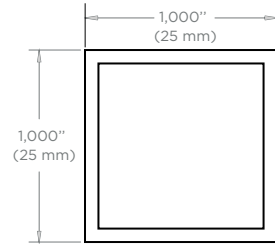
Aluminum anodized, perimeter molding for cut Zen tiles. Allows adjustment to wall and/or ceiling.
 Finishing molding for obstacles (ex: light fixture, power outlet, electric baseboard, etc.)



(B)

ARTOTRIM-L1 *

Aluminum anodized, finishing molding for 1/2" plywood backing
 * For installations requiring a plywood backing as a nailing base.



(C)

ARTOTRIM-SQ2

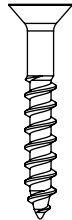
Vertical molding for 90° walls, internal or external corner (included only when required)



(D)

SCREW FOR TILES

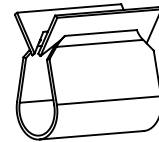
Wood or drywall screw #6 x 1-1/8"
 Stainless steel or equivalent (not included)



(E)

SCREW FOR MOLDINGS

Flat head, wood screw #8 x 1-1/8"
 Zinc plated or equivalent (not included)



(F)

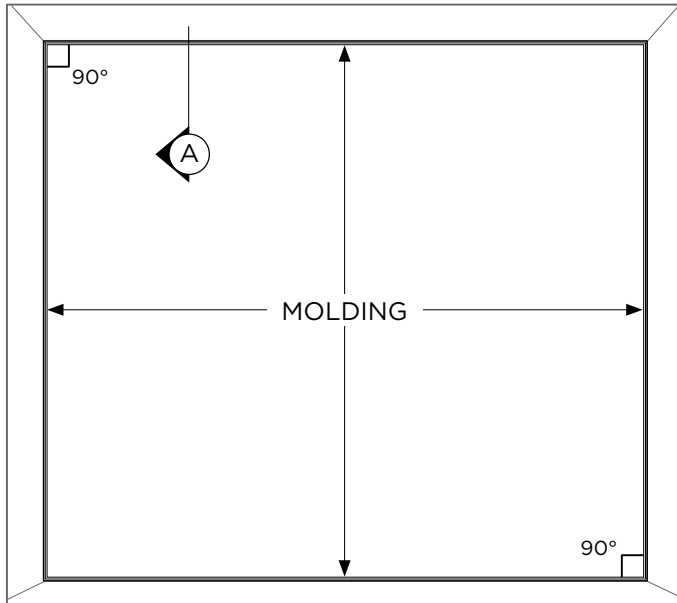
ARTOCLIP

Retaining clip
 1/2" x 7/16" x 1/4"
 (12,7 mm x 11,1 mm x 6,35 mm)

STEPS FOR INSTALLATION

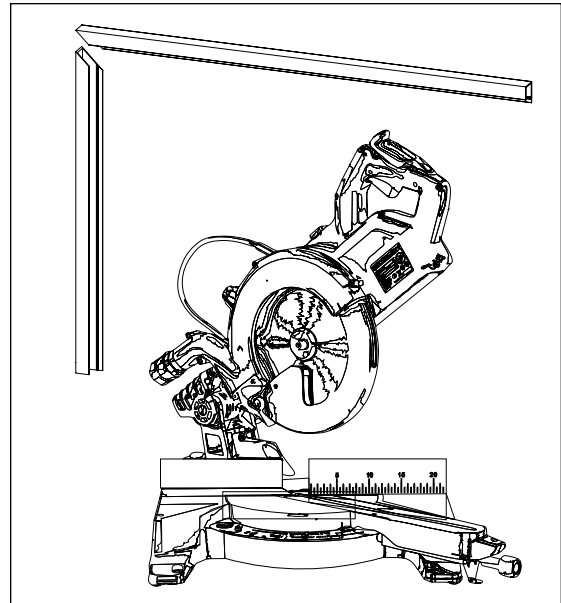
STEP-BY-STEP PROCESS - CEILINGS AND DRY PARTITIONS

STEP 1 Moldings



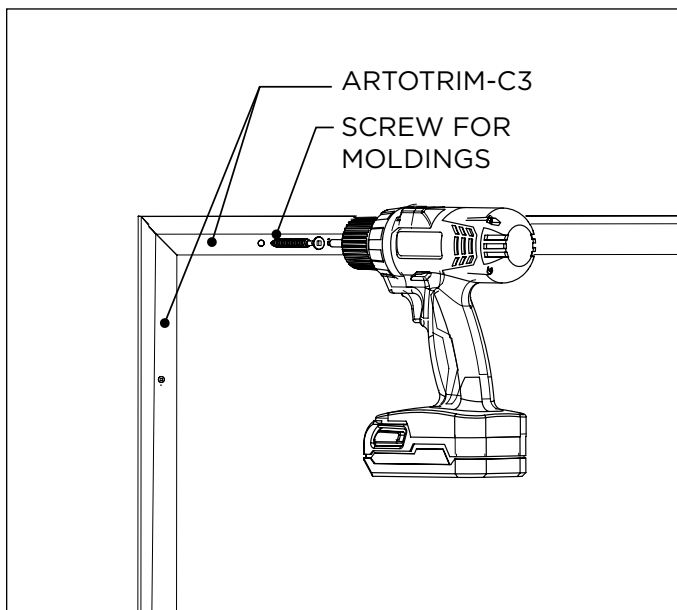
A. MEASURING THE SURFACE

Measure the perimeter of the installation surface to calculate the lengths of moldings required.



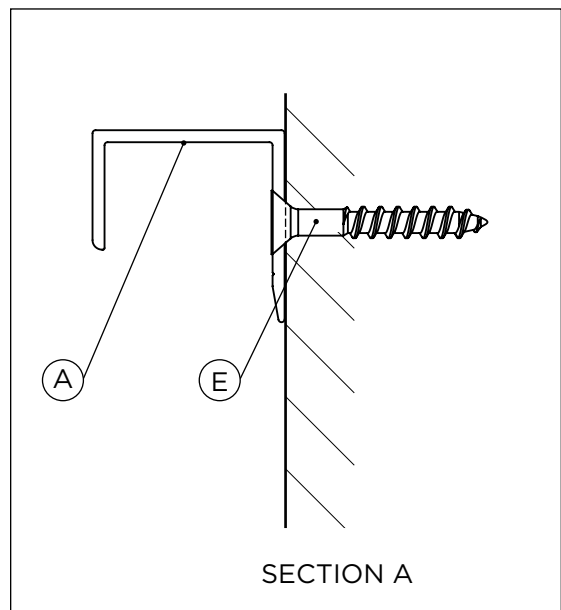
B. CUTTING MOLDINGS

All protective finishing moldings must be cut at 45° using a miter saw.



C. INSTALLING MOLDINGS

Proceed to install the moldings on the perimeter, before starting on the installation of the tiles.



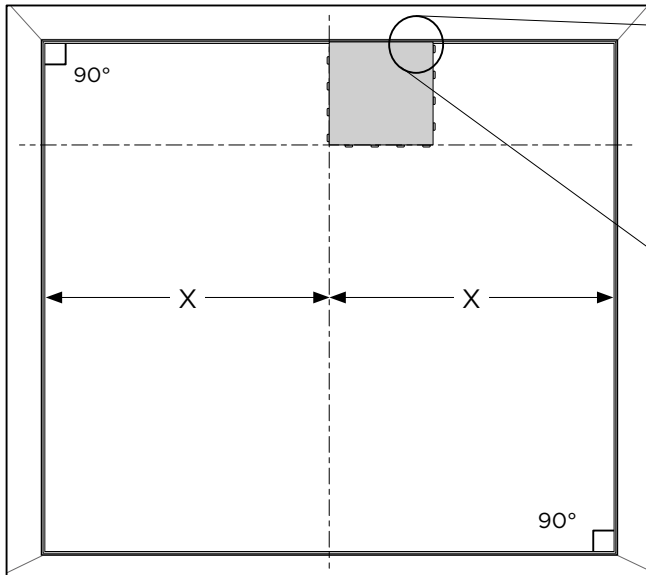
D. SECTION VIEW - DRY PARTITION

Material and assembly details. For an irregular surface, please see the annex.

STEPS FOR INSTALLATION

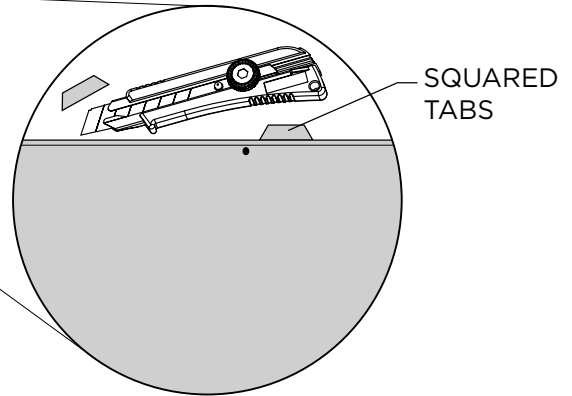
STEP-BY-STEP PROCESS

STEP 2 Tiles and ARTOCLIP



A. INSTALLING TILES

Identify the center of the wall. Using a utility knife, cut the tabs on the side of the tile that will be against the ARTOTRIM-C3 molding.

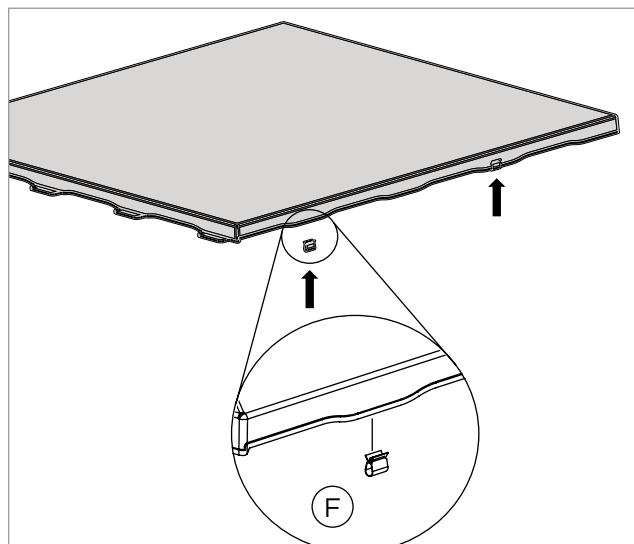


B. TILES

Select a tile pattern. Depending on the chosen pattern, tiles may be oriented vertically, horizontally, or both.

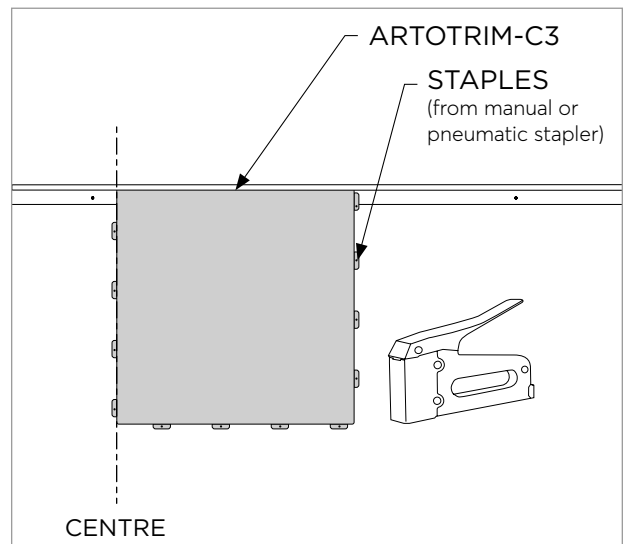
Note :

Tiles have both rounded and squared TABS. The tabs indicate the direction of the tile. Use TABS as a guide to properly arrange tiles oriented in the same direction.



C. ATTACHING ARTOCLIP RETENTION CLIPS

Attach 2 ARTOCLIP retention clips on every side that will be in contact with the ARTOTRIM-C3 frame. The retention clips hold the tile in place within the frame. For small format tiles (12" x 12"), use only one clip per side.



D. FIRST TILE

Install the first tile with ARTOCLIP next to the centreline, and against the upper ARTOTRIM-C3 molding. Staple all the tabs to the surface, using a manual or pneumatic stapler.

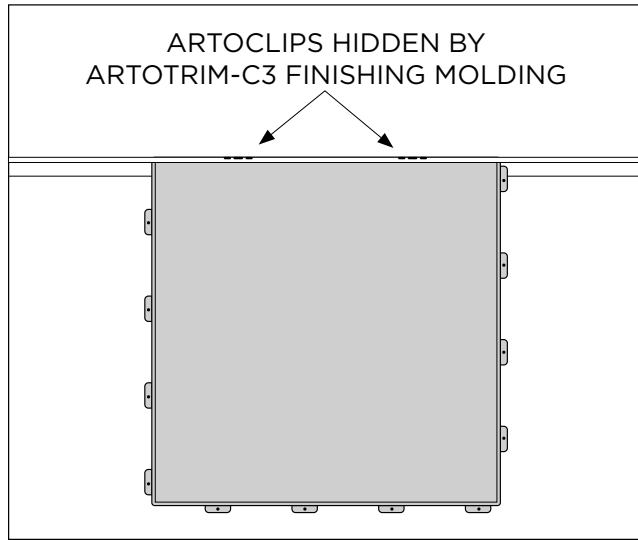
Use galvanised steel staples:
1/2" (12,5 mm) for manual stapler
1" (25,4 mm) for pneumatic stapler

STEPS FOR INSTALLATION

STEP-BY-STEP PROCESS

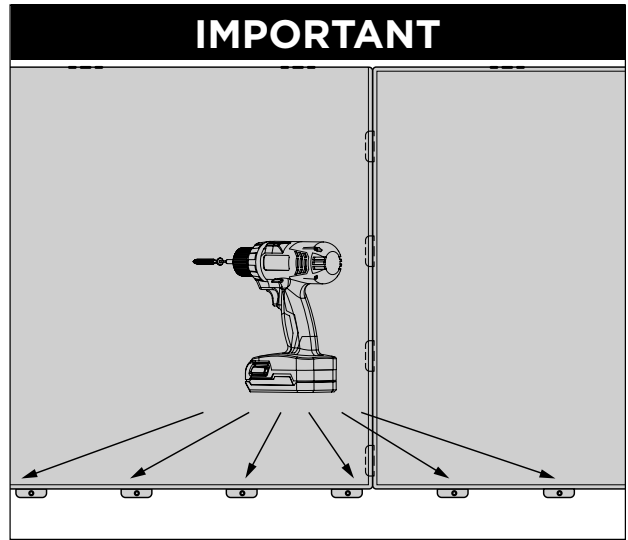
STEP 2 Tiles and ARTOCLIP

The installation steps are simple and easy to perform, make sure to properly align the tiles for an even installation. For optimal results, we recommend checking the horizontal (column) and vertical (row) alignment every 3 or 4 tiles.



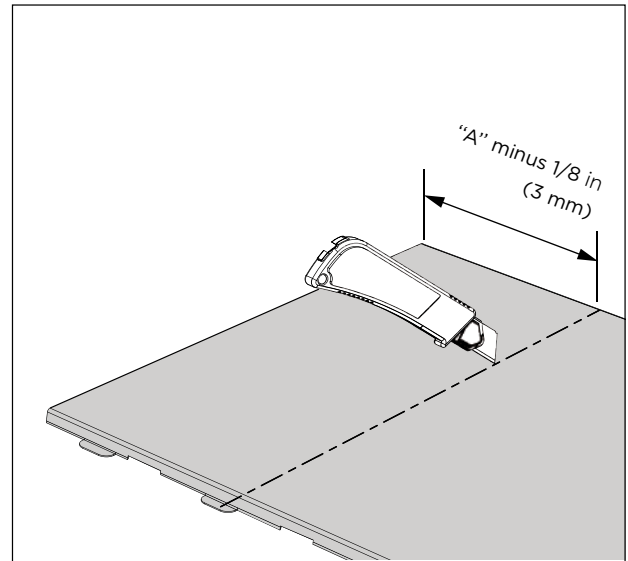
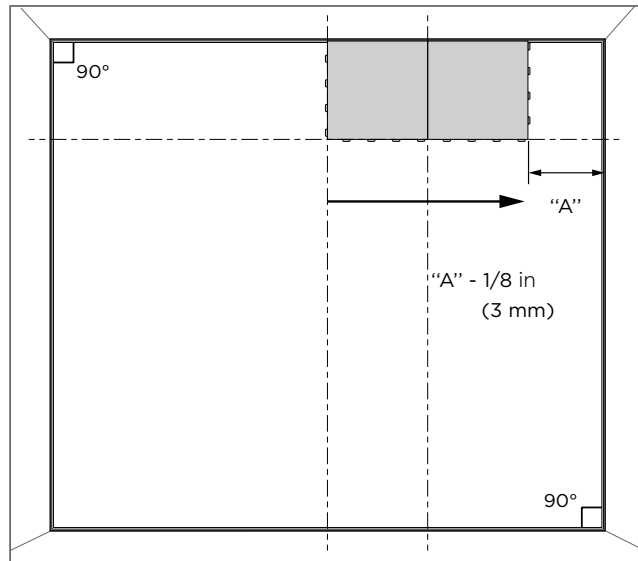
E. ARTOCLIP

Once installed in the ARTOTRIM-C3 molding, the ARTOCLIP will not be visible.



F. CEILING TILES OR CURVED SURFACES

ALL VISIBLE TILE TABS must be fixed directly to the ceiling or curved surface with screws or stapled with a pneumatic stapler. Use #6 x 1-1/8" wood screws (or equivalent) or 16 gauge 1" galvanized staples.



06 G. TILE ALIGNMENT

Continue to install the other tiles, using a laser level to verify the alignment every 3 or 4 tiles. Measure the distance (A) of the last tile that will be inserted into the ARTOTRIM-C3 molding.

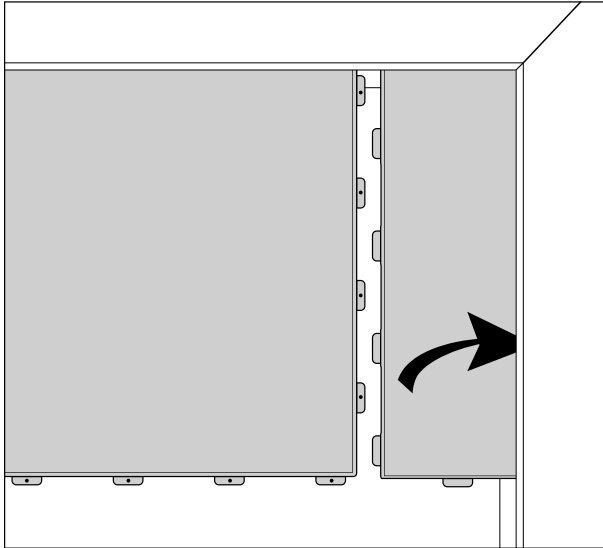
H. CUTTING THE TILE

Remove 3 mm (1/8 in) from your measurement (A) to obtain sufficient clearance. With a utility knife cut the tile to size.

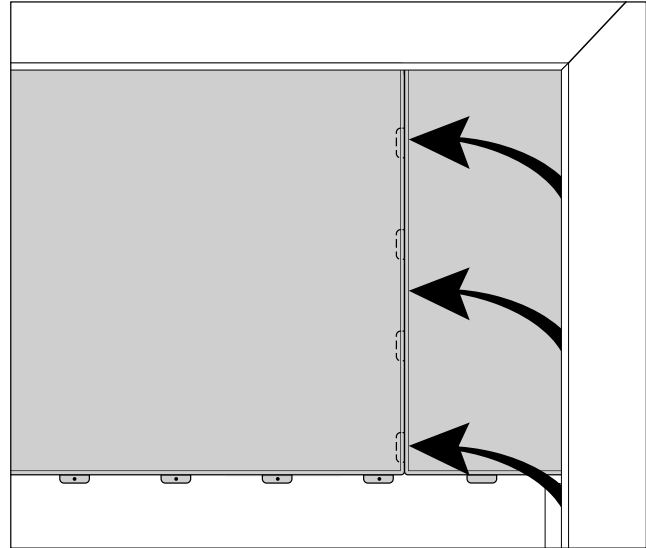
STEPS FOR INSTALLATION

STEP-BY-STEP PROCESS

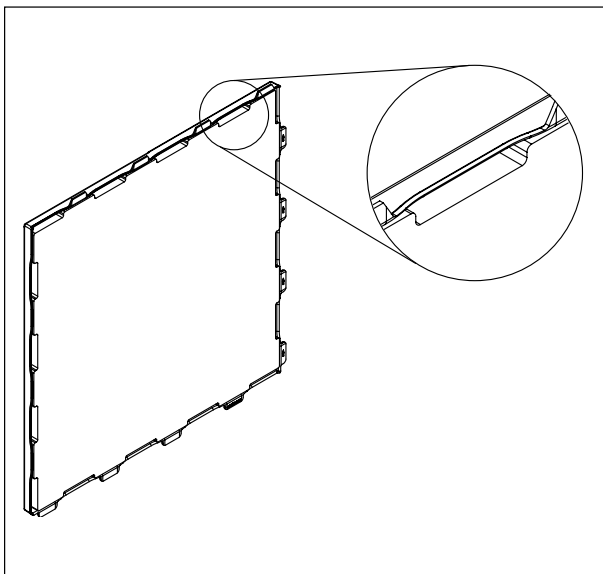
STEP 2 Tiles and Artoclips



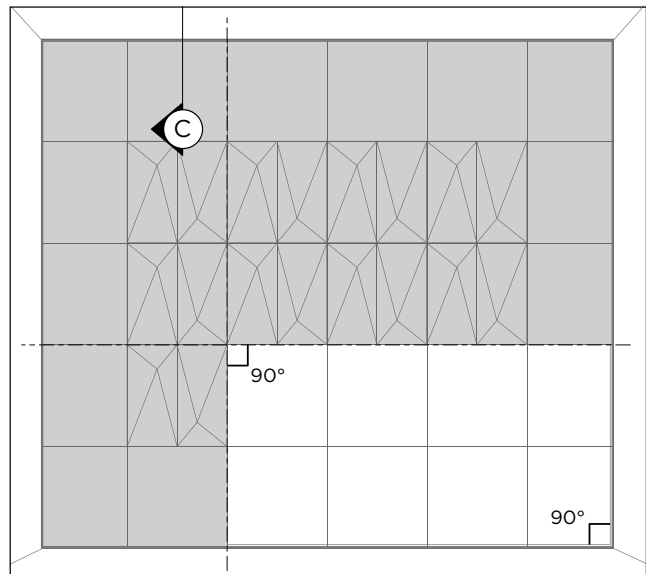
I. INSERTING THE CUT TILE
Insert the tile into the ARTOTRIM-C3 molding.



J. INSERTING THE CUT TILE
Bend the tile slightly and insert the tabs into the notches of the previously installed tile.



K. STONE WOOL PANEL
Flat tiles:
The stone wool panel comes pre-assembled inside the tiles.
Three-dimensional tiles:
Insert the stone wool panel inside the tile, make sure to position the notches as indicated. An improperly placed stone wool panel will block the notches and prevent the tabs on surrounding tiles from inserting.

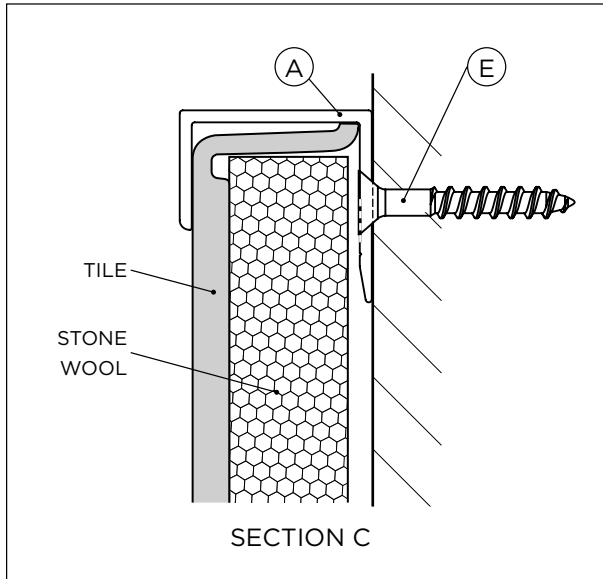


L. TILE ALIGNMENT
Continue to install the other tiles, using a laser level to verify the alignment every 3 or 4 tiles.

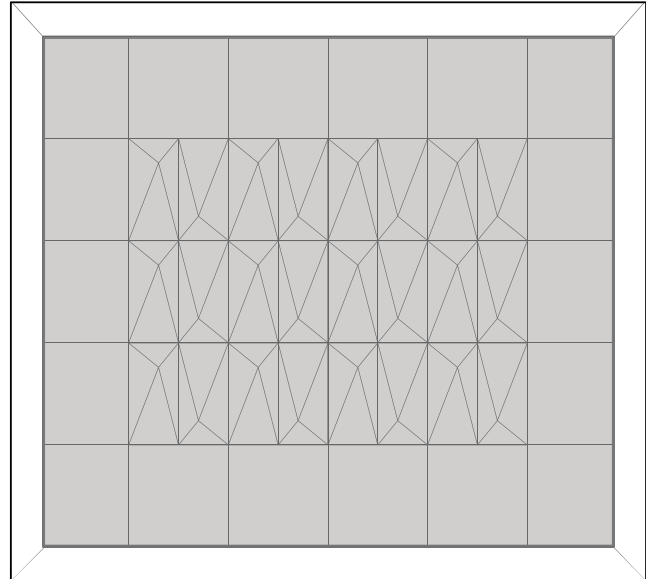
STEPS FOR INSTALLATION

STEP-BY-STEP PROCESS

STEP 2 Tiles and Artoclips



M. SECTION VIEW
Materials and assembly details.



N. COMPLETE THE INSTALLATION
Install the remaining tiles to fully cover the surface.

MAINTENANCE

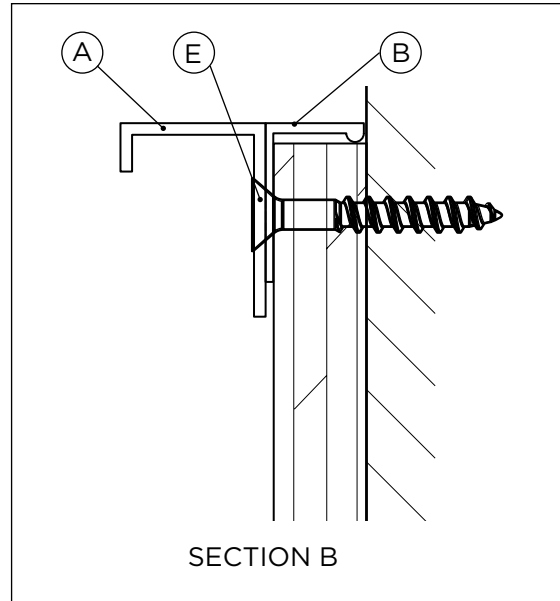
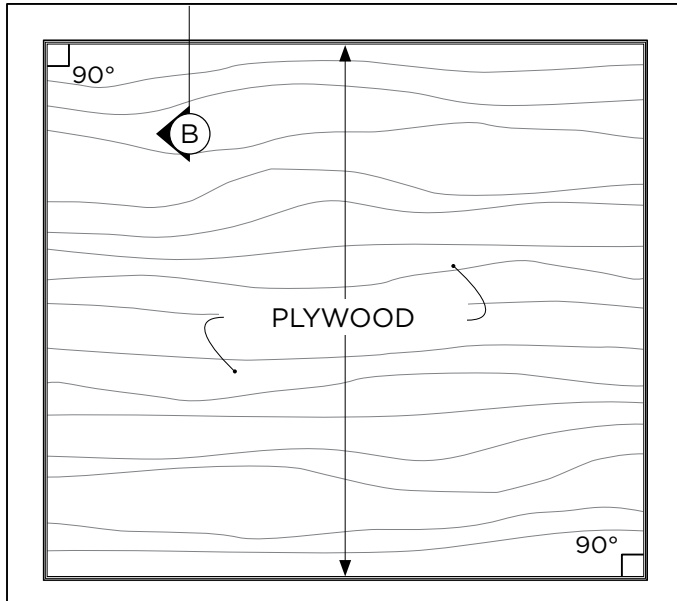
1. It is recommended to have clean, dry hands while handling the Artofix tiles.
2. Use only a clean, soft, lint-free cloth to lightly wipe dirt off the surface of acoustic tiles.
3. Use only a gentle soap and a bit of water on the surface for more stubborn stains.
4. Do not use a solvent-based cleaning product or any other chemical products that could damage Artofix tiles.

To learn more about our products, visit our website www.artofix.com

ANNEX A

IRREGULAR INSTALLATION SURFACES

CEILING AND CONCRETE PARTITIONS, CONCRETE BLOCKS, TERRACOTTA, etc.

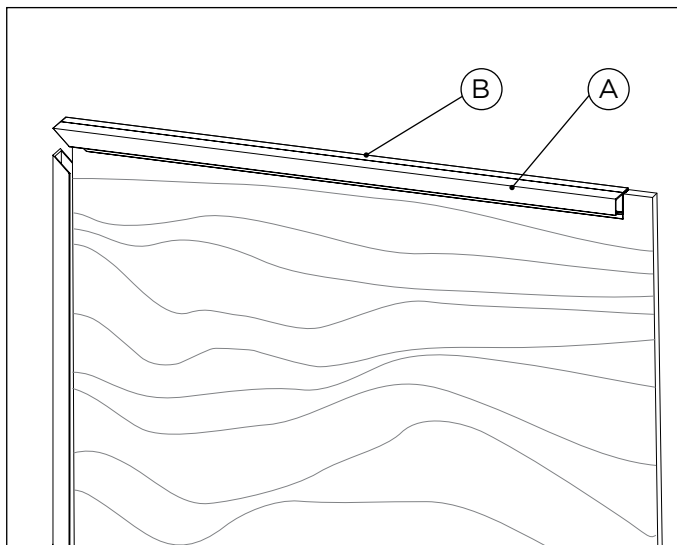


A. INSTALLING PLYWOOD AND MOLDINGS

In the event that the installation surface is irregular, brittle, or inadequate such as concrete blocks, terracotta, plaster, etc., it is necessary to install a backing such as plywood, **before** installing tiles.

B. SECTION VIEW - PLYWOOD BACKING

Material and assembly details.



- (A) ARTOTRIM-C3
- (B) ARTOTRIM-L1
- (E) SCREW

C. PLYWOOD FINISHING

The protective ARTOTRIM-L1 molding must be installed to cover the visible edges of the 1/2 in (12,5 mm) plywood backing*. Secure with #8 screws.

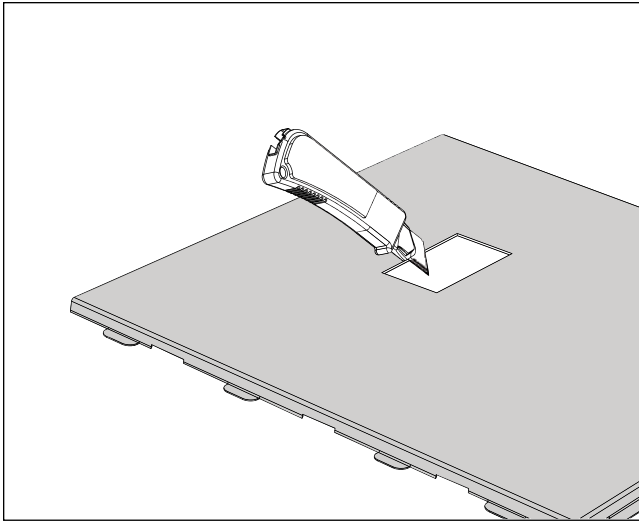
The protective ARTOTRIM-C3 molding for tiles can be attached on the perimeter of the plywood backing at the same time, with the same type of screw. (See B. SECTION VIEW)

* The plywood backing of appropriate grade must be installed in accordance with the recommendations of a professional, with the help of anchors adapted to the type of surface.

ANNEX B

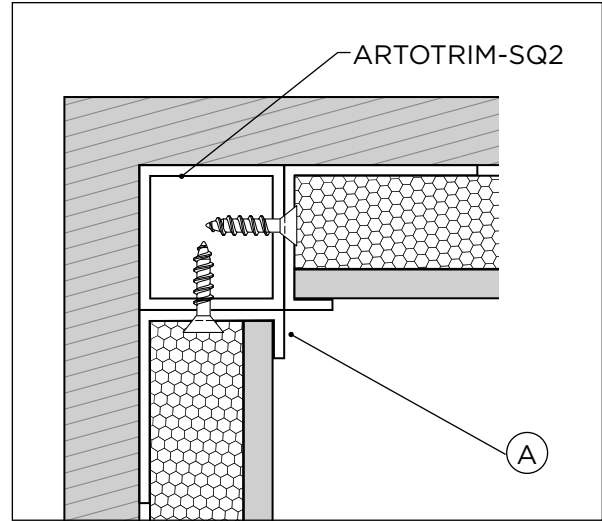
TIPS AND TRICKS

OBSTACLES AND CORNERS



A. OBSTACLES

To allow access to elements located on the walls or ceiling, such as switches, thermostats, sprinklers, etc., it is possible to cut the tiles with a utility knife. Install the tile same as the others and continue installing the following tiles using the same technique.



B. CORNERS

To finish a convex or concave corner, install an ARTOTRIM-SQ2 corner molding first, and then screw the ARTOTRIM-C3 (A) molding to each side.