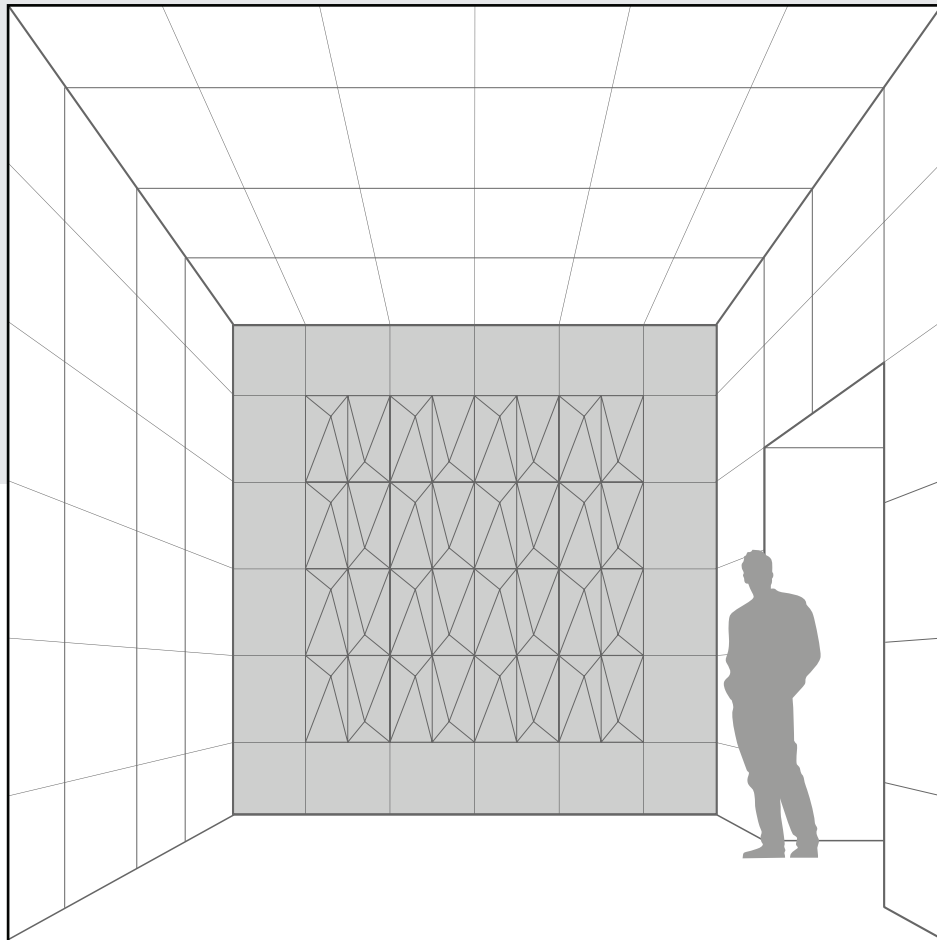


ARTOFIX

INSTALLATION GUIDE ACOUSTIC TILES



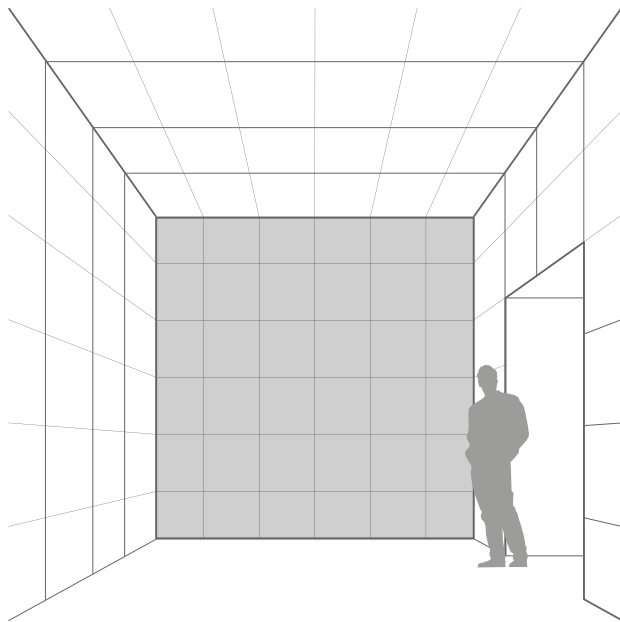
WALLS AND CEILINGS

instructions for wall-to-wall architectural project

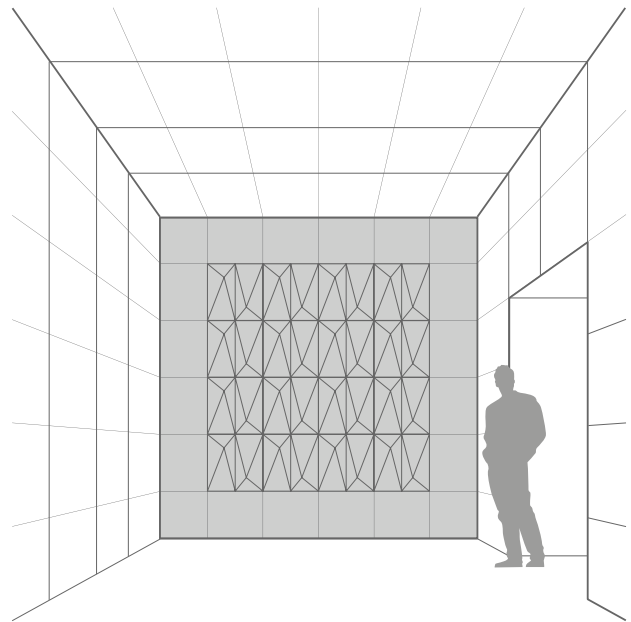
GENERAL NOTES

1. Artofix acoustic tiles can be installed directly onto a wall or ceiling of drywall.
2. For walls, tiles may be secured to the drywall with a manual or pneumatic stapler.
3. For ceilings, tiles must be secured with screws to the drywall using a drill or screwdriver or stapled with a pneumatic stapler.
4. In the event that the installation surface is irregular, brittle, or inadequate such as concrete blocks, terracotta, plaster, etc. The Artofix acoustic tiles will need to be installed on a plywood backing of at least $\frac{3}{8}$ " (9,53mm) thickness.
5. The plywood backing of appropriate grade must be installed in accordance with the recommendations of a professional, with the help of anchors adapted to the type of surface.
6. If there are numerous obstacles on the installation surface, a plywood backing may be installed on metal furring, in accordance with industry practices.
7. For dark tiles, before beginning the installation, we recommend painting the surface a color similar to that of the tiles.

INSTRUCTIONS for wall-to-wall architectural project

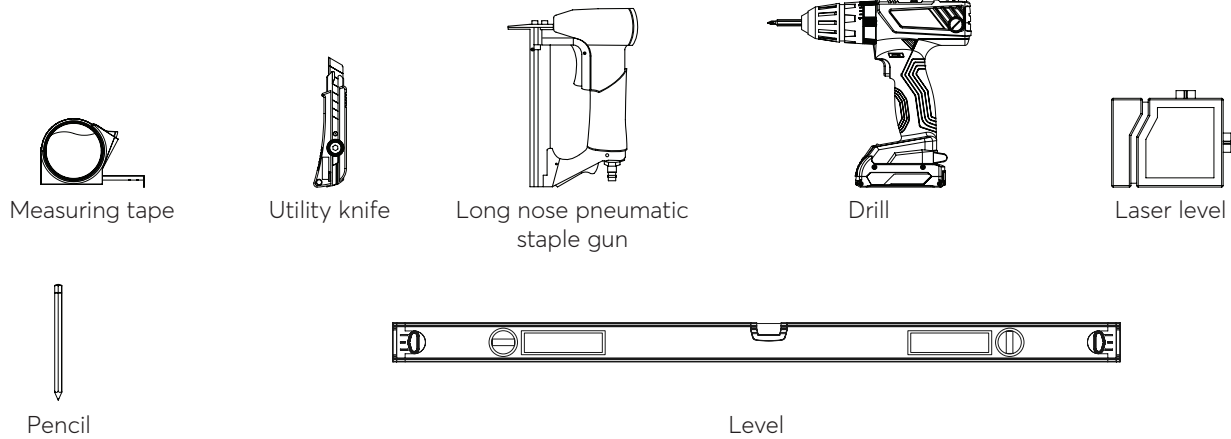


CONFIGURATION 1
Flat relief tiles throughout

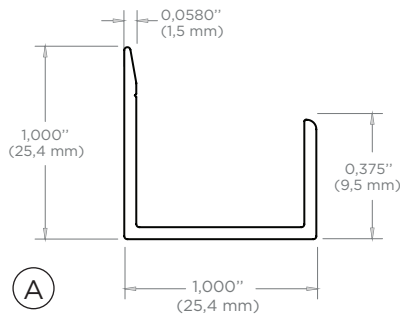


CONFIGURATION 2
Combination of three-dimensional tiles, with flat relief tiles on the perimeter

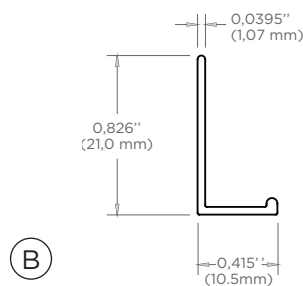
REQUIRED TOOLS
(not provided)



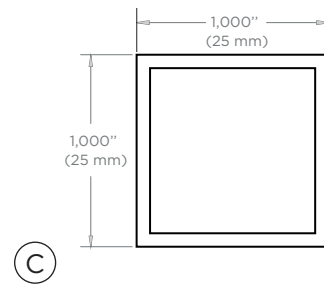
HARDWARE
(Provided by Artofix, unless otherwise specified)



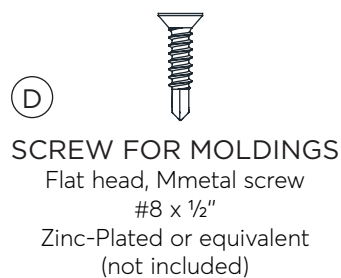
ARTOTRIM-C3
Aluminum anodized, perimeter molding for flat tiles. Allows adjustment to wall and/or ceiling



ARTOTRIM-L4
Aluminum anodized, finishing molding for $\frac{3}{8}$ " (9,53 mm) plywood or OSB backing



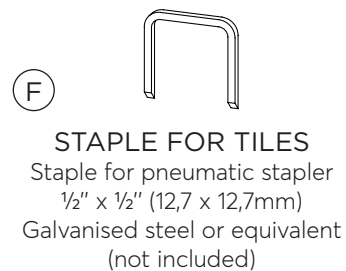
ARTOTRIM-SQ2
Vertical molding for walls with 90° corners, either internal or external. (Included only if required)



SCREW FOR MOLDINGS
Flat head, Mmetal screw
#8 x $\frac{1}{2}$ "
Zinc-Plated or equivalent
(not included)



SCREW FOR TILES*
Flat head, wood screw
#6 x $\frac{1}{2}$ "
Zinc-plated or equivalent
*For ceiling tiles or curved surfaces
(not included)

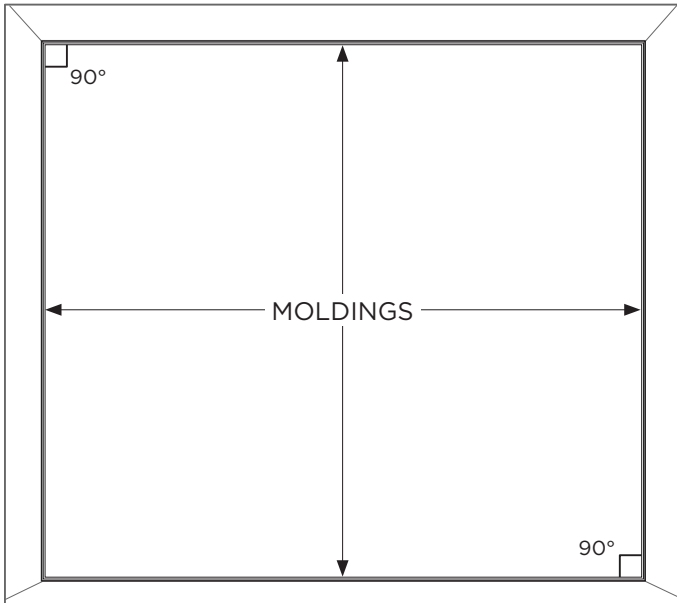


STAPLE FOR TILES
Staple for pneumatic stapler
 $\frac{1}{2}$ " x $\frac{1}{2}$ " (12,7 x 12,7mm)
Galvanised steel or equivalent
(not included)

INSTALLATION STEPS

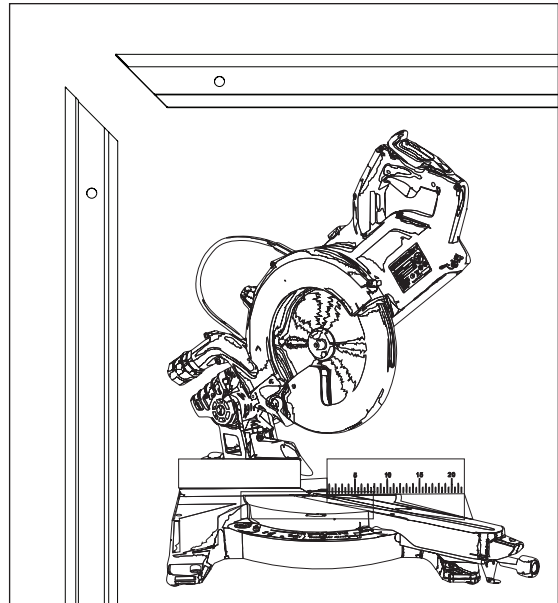
STEP-BY-STEP PROCESS

STEP 1 Moldings



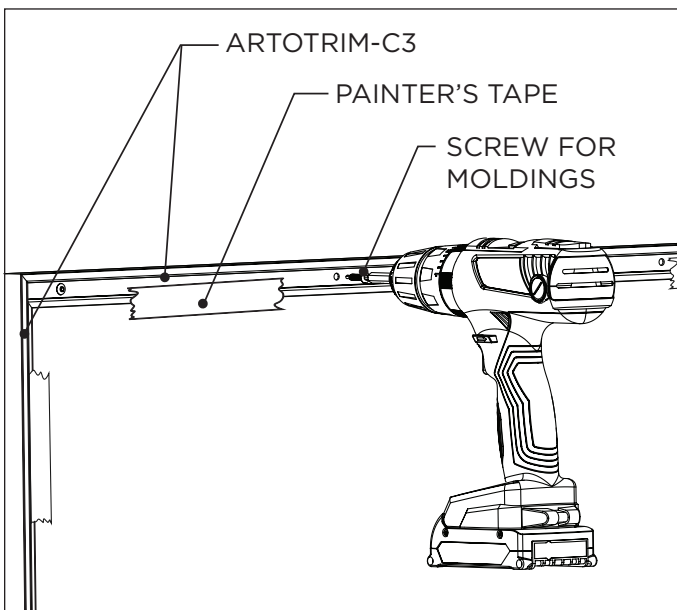
A. MEASURING THE SURFACE

Measure the perimeter of the installation surface to calculate the lengths of moldings required.



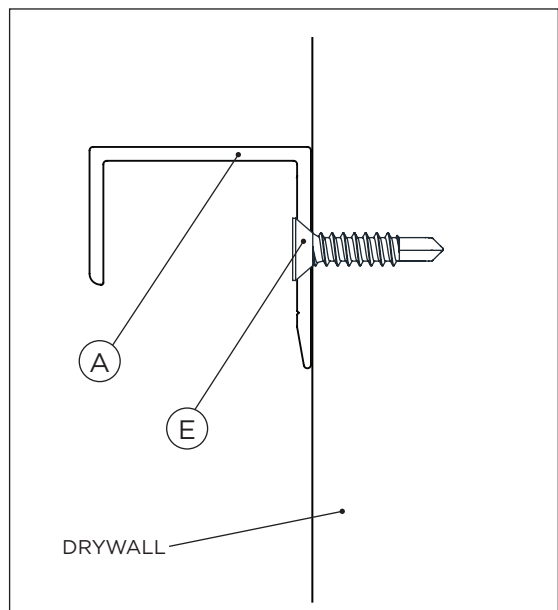
B. CUTTING MOLDINGS

All protective finishing moldings must be cut at 45° using a miter saw.



C. INSTALLING MOLDINGS

Proceed to install the moldings on the perimeter, before starting on the installation of the tiles. Use painter's tape to hold the moldings in place before placing screws.

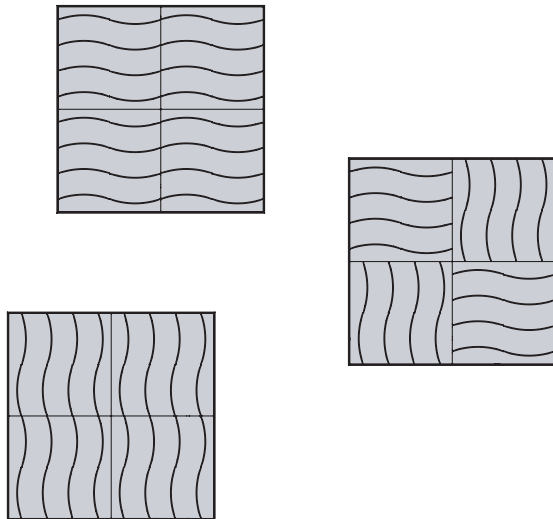


D. SECTION VIEW - DRY PARTITION

Material and assembly details. For an irregular surface, please see the annex.

INSTALLATION STEPS
 STEP-BY-STEP PROCESS

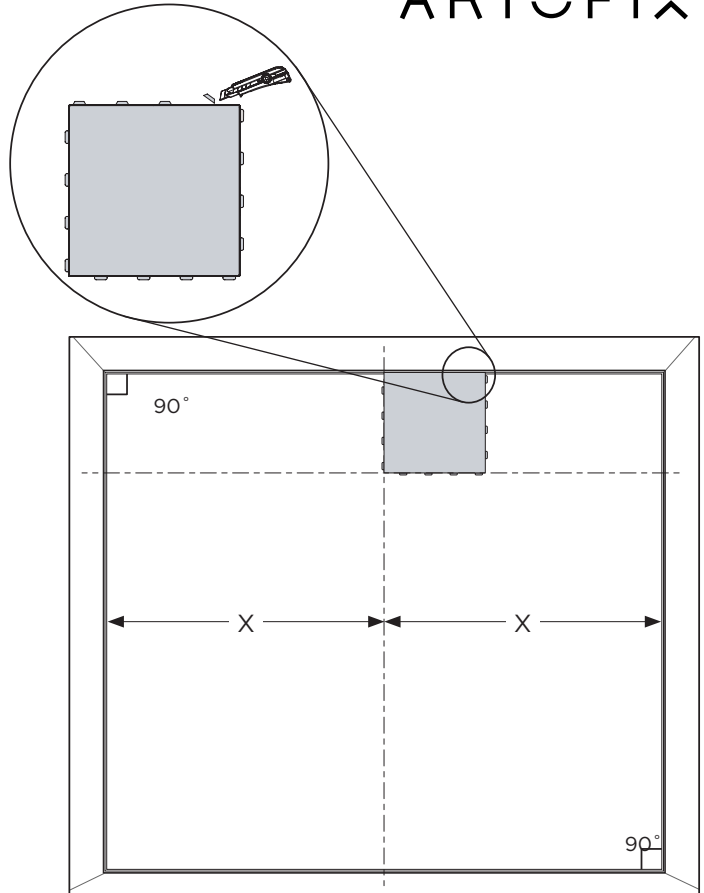
STEP 2 Tiles



*Wave tile shown

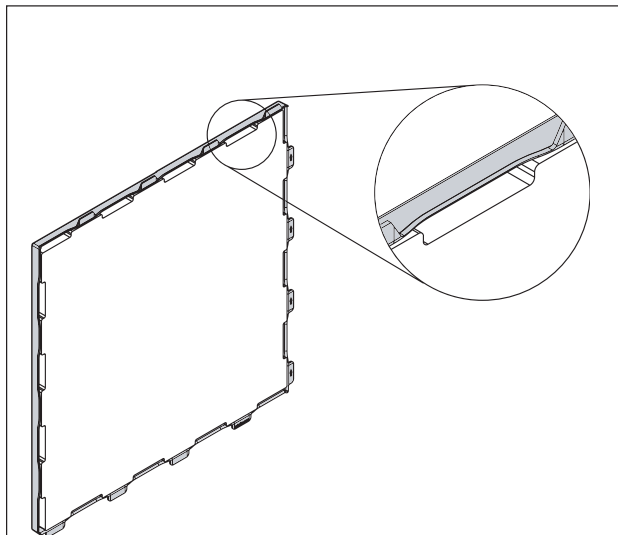
A. TILES

Select a tile pattern.
 Depending on the chosen pattern, tiles may be oriented vertically, horizontally, or both.



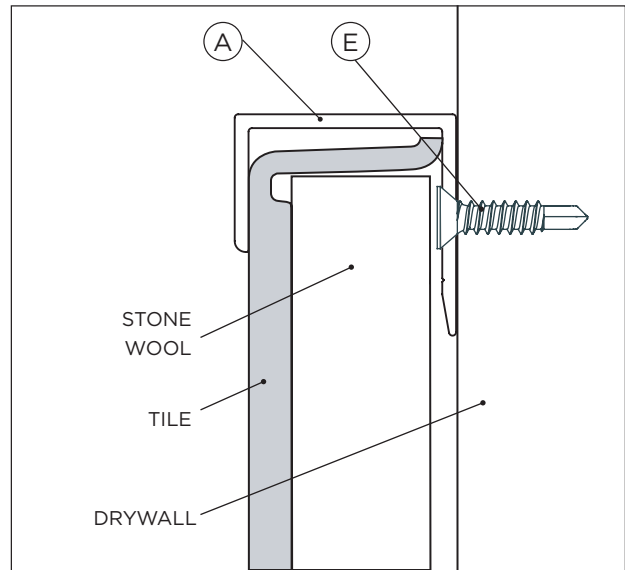
B. INSTALLING TILES

Identify the center of the wall. With a utility knife, cut the tabs on the side of the tile that will be inserted into the ARTOTRIM-C3 molding.



C. STONE WOOL PANEL

Insert the stone wool panel inside the tile, make sure to position the notches as indicated. An improperly placed stone wool panel will block the notches and prevent the tabs on surrounding tiles from inserting.

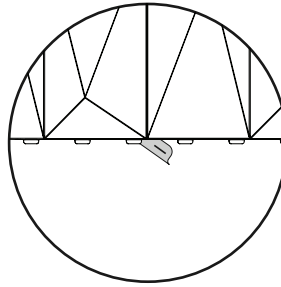


D. SECTION VIEW

Materials and assembly details.

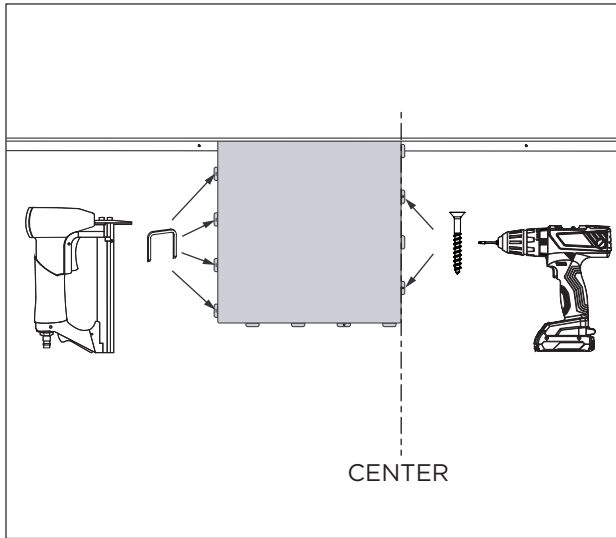
INSTALLATION STEPS
STEP-BY-STEP PROCESS

STEP 2 Tiles



TIPS & TRICKS

For tiles that contrast with the wall color. Staple a tab at the corner junction of the tiles to prevent the color of the wall from being visible.

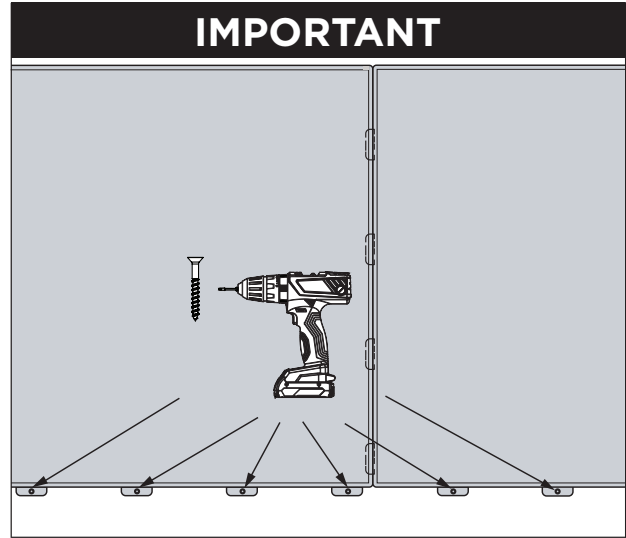


E. PLACING THE FIRST TILE

Fasten the first tile to the wall, plywood, or OSB with screws or staples.

With screws: Fasten one out of every two tabs

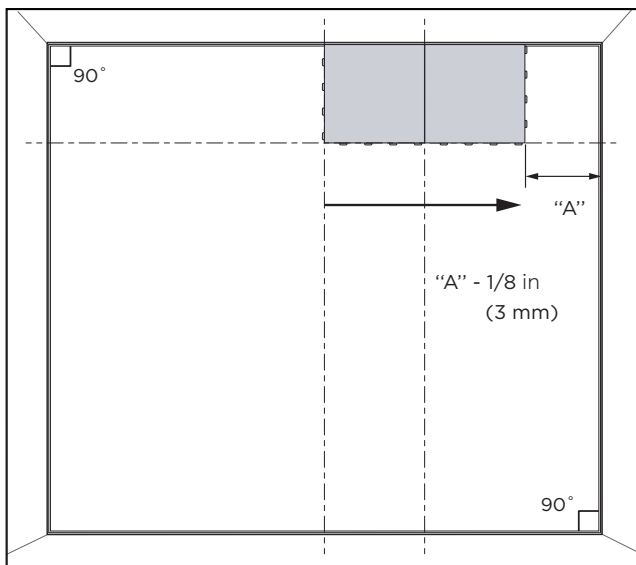
With staples: Fasten all visible and hidden tabs
Align all following tiles with the first tile.



IMPORTANT

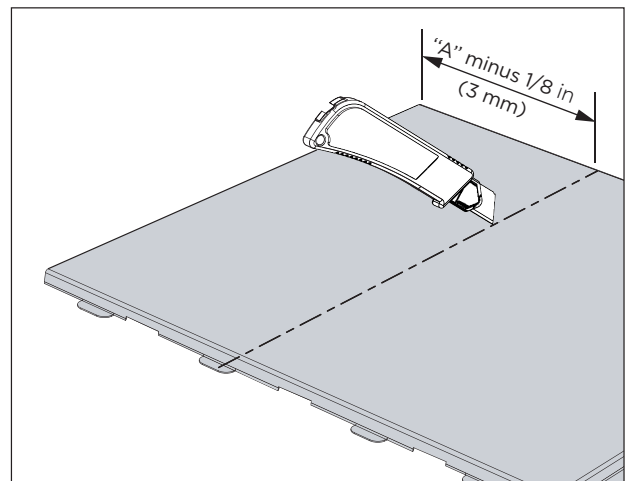
F. CEILING TILES OR CURVED SURFACES

All visible tile tabs must be fixed directly to the ceiling or curved surface with screws or stapled with a pneumatic stapler. Use #6 x 1-1/8" wood screws (or equivalent) or 16 gauge 1" galvanized staples.



G. TILE ALIGNMENT

With a laser level, verify the alignment of the tiles both horizontally and vertically every 3-4 tiles. When there is no longer room for a full tile, measure the distance "A" of the remaining space to determine the size of the end tile to be inserted into the ARTOTRIM-C3 molding.

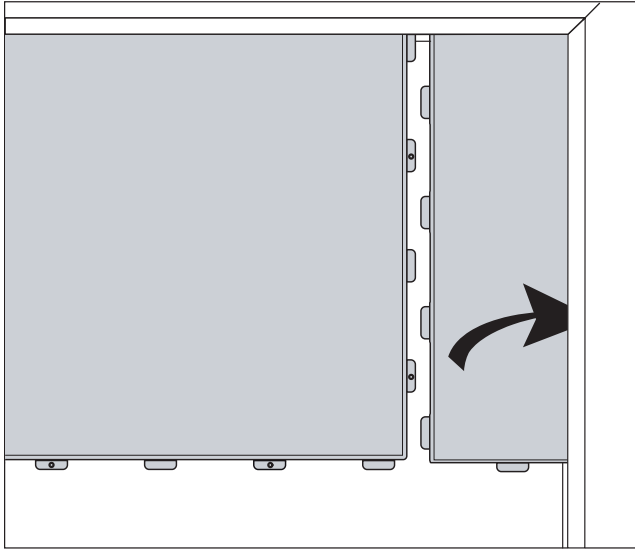


H. CUTTING THE END TILE

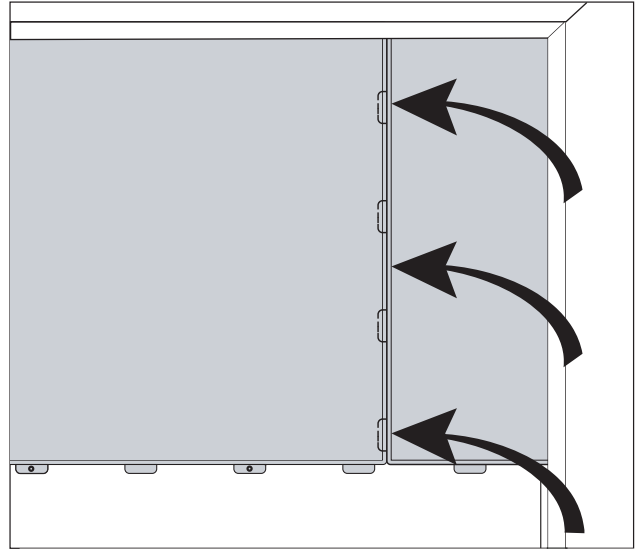
Remove 1/8 in (3mm) from your measurement "A" to obtain sufficient clearance. With a utility knife cut the tile to size.

INSTALLATION STEPS
STEP-BY-STEP PROCESS

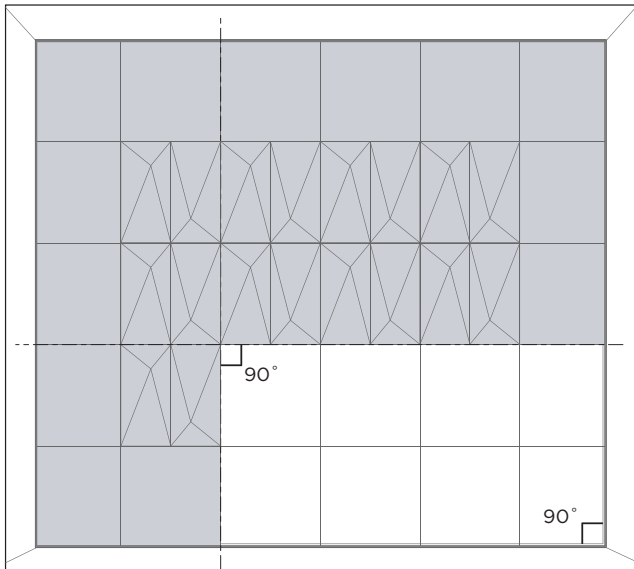
STEP 2 Tiles



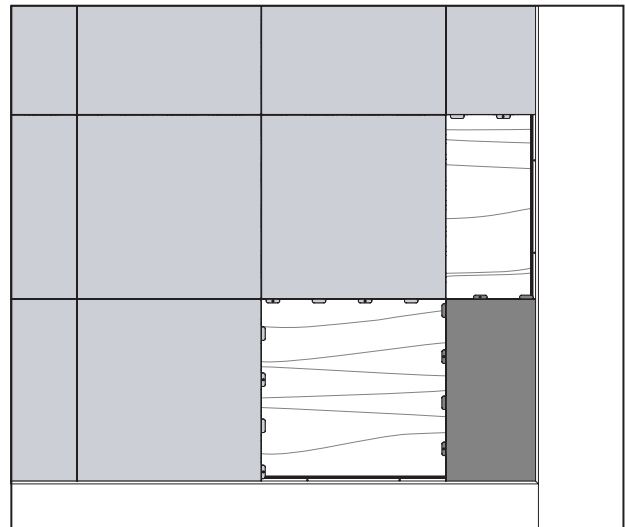
I. INSERTING THE END TILE
Insert the tile in the ARTOTRIM C3 molding.



J. INSERTING THE END TILE
Flex the tile slightly and insert the tabs into the notches of the previously installed tile. Follow steps 'E' and 'F' to fasten the hidden tabs.



K. ALIGNING TILES
Continue to assemble the tiles and verify the alignment by using a laser level, every 3 to 4 tiles.

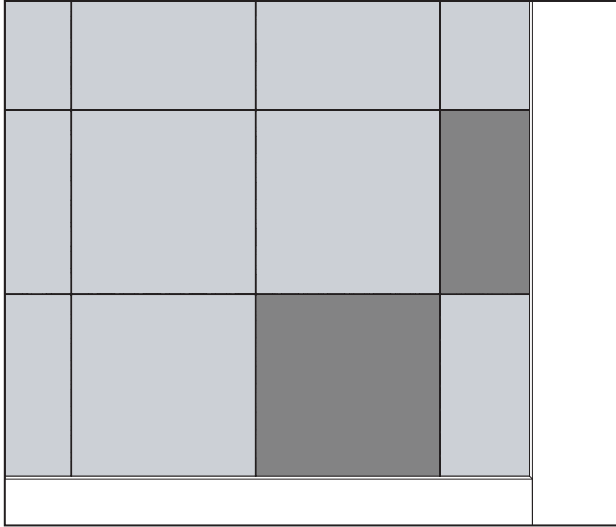


L. INSTALLING THE CORNER TILE
Insert the tile (indicated in dark gray), either cut or whole, in the corner of the moldings and secure with staples or screws. If the tile must be cut, follow steps 'G' and 'H' for measuring and cutting of the corner tile.

INSTALLATION STEPS

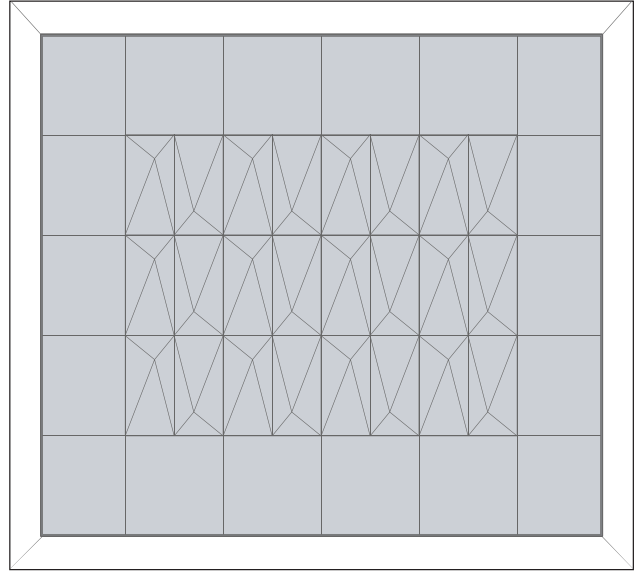
STEP-BY-STEP PROCESS

STEP 2 Tiles



M. INSERTING THE 2 REMAINING TILES

Insert the two remaining tiles (the tiles are flexible) and secure the tabs with staples or screws depending on the chosen method. Follow steps 'I' and 'J' for inserting tiles.



N. COMPLETE THE INSTALLATION

Install the remaining tiles to fully cover the surface.

MAINTENANCE

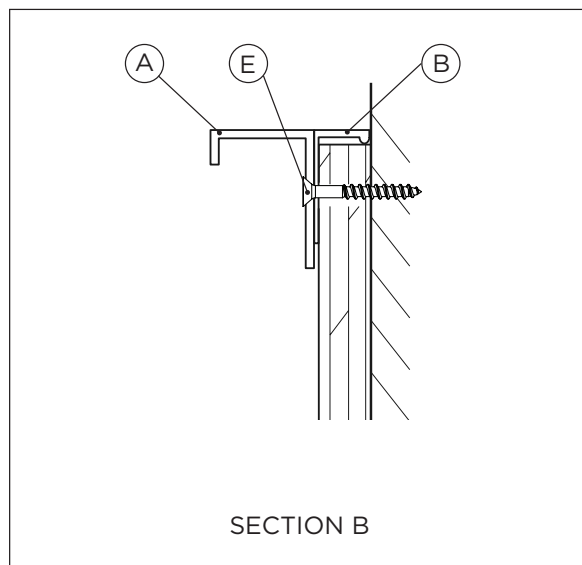
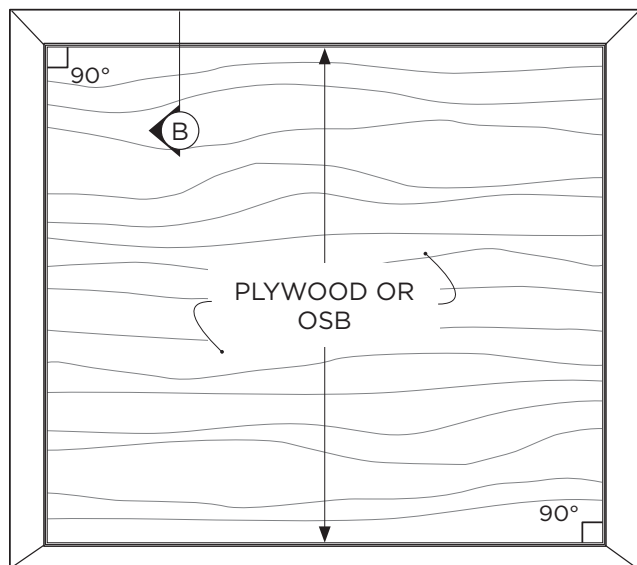
1. It is recommended to have clean, dry hands while handling the Artofix tiles.
2. Use only a clean, soft, lint-free cloth to lightly wipe dirt off the surface of acoustic tiles.
3. Use only a gentle soap and a bit of water on the surface for more stubborn stains.
4. Do not use a solvent-based cleaning product or any other chemical products that could damage Artofix tiles.

To learn more about our products, visit our website www.artofix.com

ANNEX A

IRREGULAR INSTALLATION SURFACES

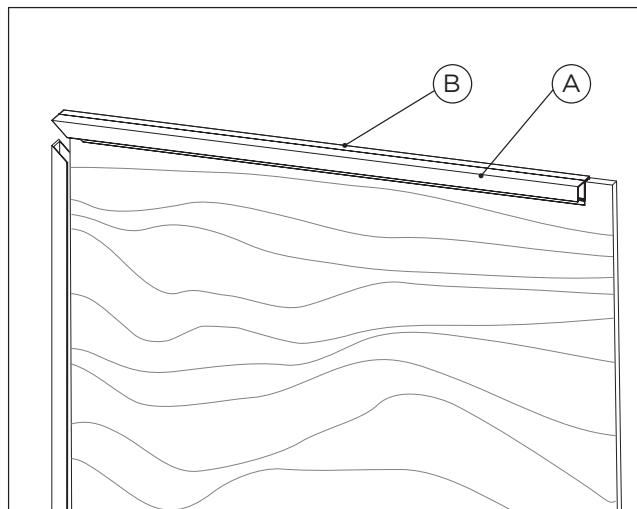
CEILING AND CONCRETE PARTITIONS, CONCRETE BLOCKS, TERRACOTTA, etc.



A. INSTALLING PLYWOOD AND MOLDINGS

In the event that the installation surface is irregular, brittle, or inadequate such as concrete blocks, terracotta, plaster, etc., it is necessary to install a backing such as plywood, **before** installing tiles.

B. SECTION VIEW FOR PLYWOOD OR OSB Material and assembly details.



- (A) ARTOTRIM-C3
- (B) ARTOTRIM-L4
- (E) SCREW #6 X 1 1/8 IN FOR PLYWOOD OR OSB

C. PLYWOOD FINISHING

The protective ARTOTRIM-L4 molding must be installed to cover the visible edges of the 3/8 in (9,5 mm) plywood backing*. Secure with #8 screws.

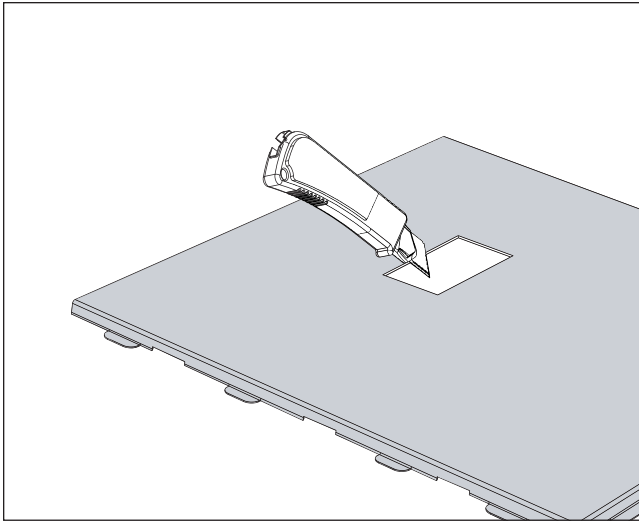
The protective ARTOTRIM-C3 molding for tiles can be attached on the perimeter of the plywood or OSB backing at the same time, with the same type of screw. (See B. SECTION VIEW)

* The plywood or OSB backing of appropriate grade must be installed in accordance with the recommendations of a professional, with the help of anchors adapted to the type of surface.

ANNEX B

TIPS AND TRICKS

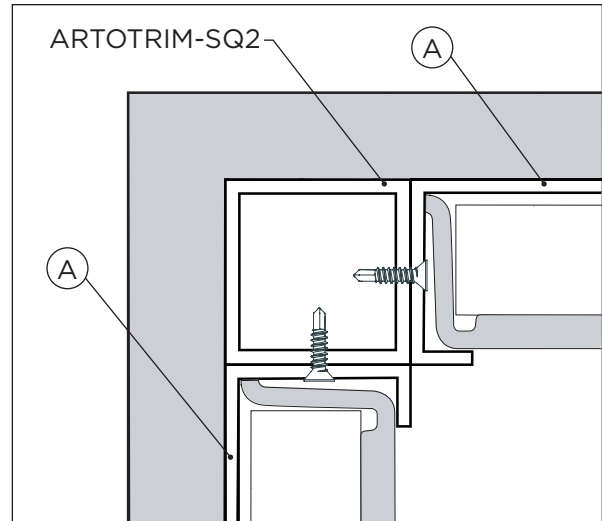
OBSTACLES AND CORNERS



A. OBSTACLES

To allow access to elements located on the walls or ceiling, such as switches, thermostats, sprinklers, etc., it is possible to cut the flat relief tiles with a utility knife.

Place the flat relief tile in the same manner, then proceed with installing the other tiles using the same method.



B. CORNERS

To finish a convex or concave corner, install an ARTOTRIM-SQ2 corner profile first, and then screw the ARTOTRIM-C3 moldings (A) to each side. Finally, screw the ARTOTRIM-C3 moldings (A) to the walls.