



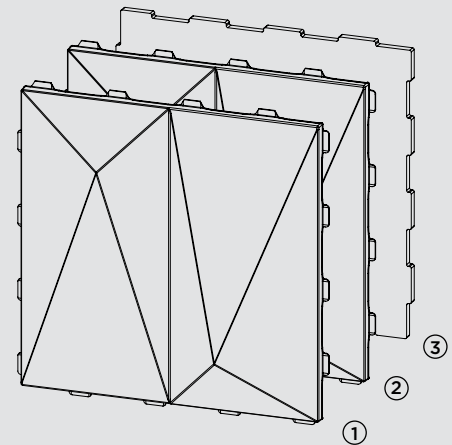
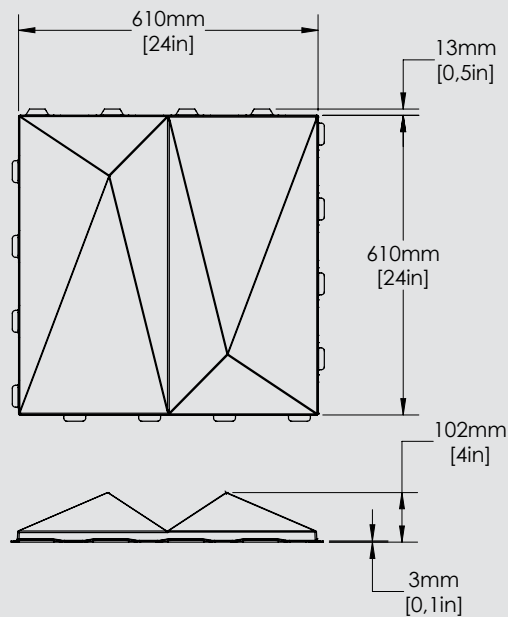
2021 Lauréat Platine  
GRANDS PRIX  
DU DESIGN

Photo credit: Stéphane Groleau



# CRYSTAL


## REGULAR INSTALLATION



### COMPOSITION

- ① Fabric and color, selected by client
- ② Acoustic structure: 100% Polyester
- ③ Acoustic Lining: Stone wool

## PRODUCT INFORMATION

	Dimensions W x H	Thickness	Acoustic Surface Area	Product Code <sup>†</sup>	Walls & Ceilings	ACG <sup>*</sup>	Baffles <sup>**</sup>	Clouds <sup>**</sup>
	24 x 24 in 610 x 610 mm	4 in 102 mm	4 ft <sup>2</sup> 0,372 m <sup>2</sup>	CRYA-2424-R-X-****-****	●	●	●	●

### Perimeter Molding

-  **Artotrim-C1**  
ARTC-1144-M-X-0000-0002 • Perimeter molding for full tiles

### STANDARD FABRICS

100% polyester  
(% of recycled fibres depends on choice of fabric)  
For available styles, consult our website.

### FLAMMABILITY

ASTM-E-84  
CAN/ULC-S102.2

### ACOUSTIC PERFORMANCE<sup>\*\*\*</sup>

Noise Reduction Coefficient (Hz)  
NRC 0.80

#### <sup>†</sup>Fabrics

Replace \*\*\*\*-\*\*\*\*\* with the style number of the fabric, followed by the color number.

#### <sup>\*\*</sup>Baffles and Clouds

For available formats, consult our website.

## TILE LAYOUT

Need some inspiration? Visit our website, where you will find inspiring projects. For more details on our products and possible layouts, you can contact us or reach out to an authorized local distributor.

\*AGC Concealed Grid: Suspended ceiling tiles with concealed supporting grid.

\*\*\*Results determined through testing by an independent, certified laboratory that was conducted according to industry standards. ASTM C423-09a. Standard test method for sound absorption coefficients by the reverberation room method. ASTM E795 standard practice for mounting test samples during sound absorption tests.

Drawings not to scale. Do not use as template. The information contained in this document is the property of ARTOFIX. Reproduction is prohibited.

PRODUCT SHEET\_2023-04

+1.450.646.7555  
info@artofix.com

**artofix.com**